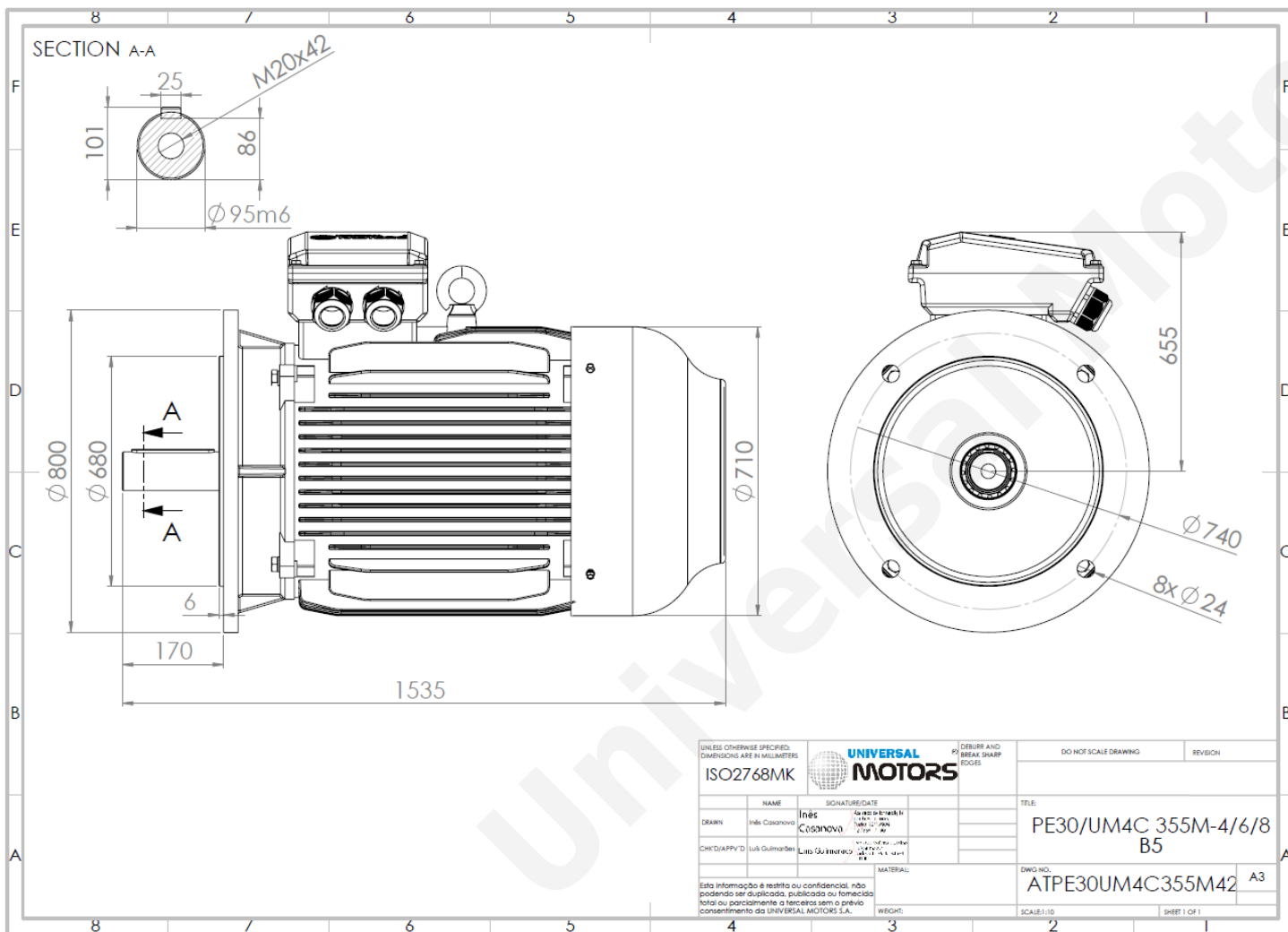


# TECHNICAL DATA

Three Phase Electric Motors - Cast Iron Frame  
 PE30 355 M 4 IE3  
 250 kW / 340 Cv  
 1490 RPM



Motor type:	PE30 355 M 4 IE3
Output:	250 kW / 340 Cv
Speed (min <sup>-1</sup> ):	1490 RPM
Frequency:	50 Hz
Voltage:	400 V
Current:	418 A
Power factor (Cos $\phi$ ):	0.90
Poles:	4
Insulation class:	F
Temperature rise Class:	B
Efficiency 50%:	95.0 %
Efficiency 75%:	95.9 %
Efficiency 100%:	96.0 %
Torque:	1602 N.m
Tstarting/Tnominal:	2.0
Istarting/Inominal:	7.1
Tmaximum/Tnominal:	2.2
Noise:	84 Db(A)
Weight:	1630 Kg
Bearing DE:	NU 322
Bearing NDE:	6322 C3

Regime - S1

Altitude - 1000m

Environment Temperature - 40°C

## CONTACTS:

UNIVERSAL MOTORS Tel: +351 252 299 080  
 Rua de São Brás,745 Fax: +351 252 299 089  
 4480-782 VILA DO CONDE Mail: [geral@universalmotors.pt](mailto:geral@universalmotors.pt)

\* References applied only in the UK